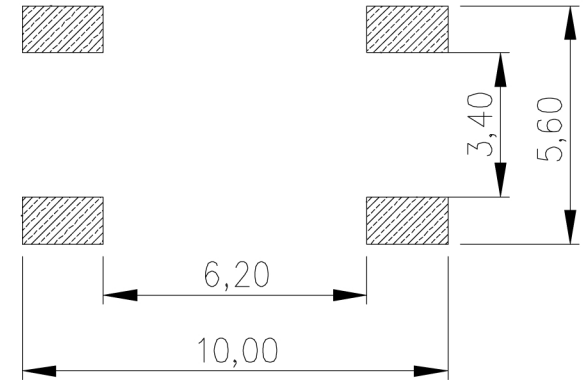
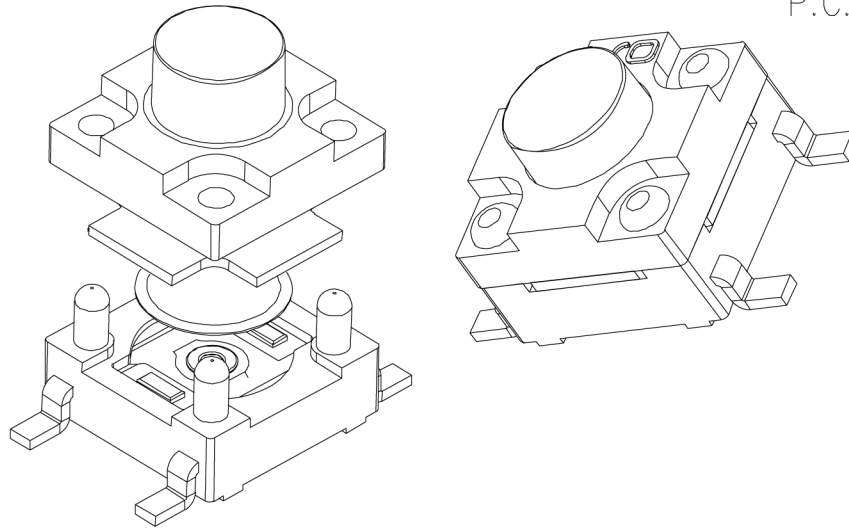
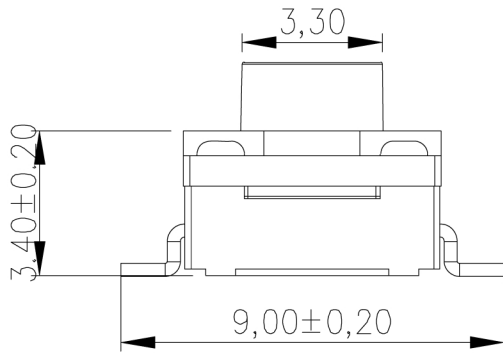


CIRCUIT



P.C.B LAYOUT



NOTES:

- 1.RATING: 12VDC 50mA
- 2.CONTACT RESISTANCE: 100mΩ Max
- 3.INSULATION RESISTANCE: 100MΩ 500VAC FOR 1MIN
- 4.DIELECTRIC STRENGTH: 250VAC(50/60Hz) FOR1MIN
- 5.OPERATION FORCE: 250±30g
- 6.TRAVEL: 0.3±0.1mm
- 7.DURABILITY:300,000 CYCLES AT THE FREQUENCY OF 20~30 CYCLES/MINUTE;
- 8.WATERPROOF GRADE: IP67