

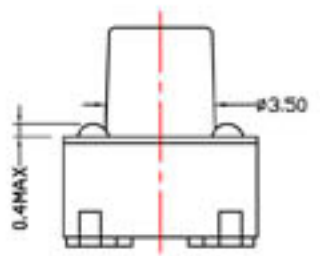
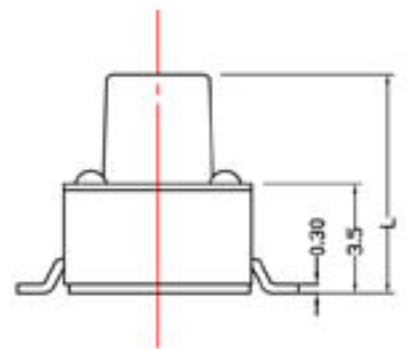
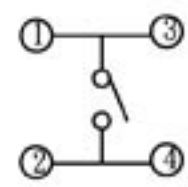
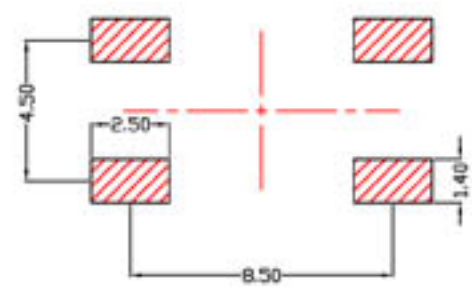
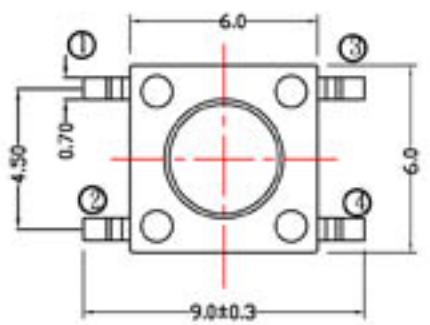
CODE : A	Operation strength	CODE. (B)	43	45	50	60	70	75	80	90	95	10	A0	B0
M	100g	STANDARD(L)	4.3	4.5	5.0	6.0	7.0	7.5	8.0	9.0	9.5	10	11	12
G	160g													
H	260g													
		CODE. (B)	B5	C0	C5	D0	E0	F0	G0	G5				
		STANDARD(L)	12.5	13	13.5	14	15	16	17	17.5				

REV. 版本	MODIFICATION 修改	DATE 日期	DRAWING 制圖	CHECKED 審核	APPROVED 核准
1					
2					

ROHS

P.C.B LAYOUT

CIRCUIT DIAGRAM



CODE:A CODE:B  
KSS-OE G 0 4 3 0

**SPECIFICATION:**

1. CURRENT RATING: DC 12V 50mA.
2. DIELECTRIC WITHSTANDING VOLOTAGE: 250VAC R. M. S. FOR ONT MINUTE.
3. INSULATION RESISTANCE: 100M OHMS MIN. AT 100V DC
4. CONTACT RESISTANCE: 100m OHMS MAX.
5. OPERATING TEMPERATURE: -20°C TO +80°C
6. SMD SOLDERING CONDITION: 260°C MAX. 3SEC
7. OPERATING LIFE: 300,000 CYCLES.
8. PROTECTION RANK : IP40

<h1>NTE</h1> <p>NTE INTERNATIONAL CO., LTD</p>	NAME 名稱	輕觸開關	Quantity 數量		SIZE 紙張	A4	DISC 繪圖		DIM TOL	Ang Tol
	DWG NO 料號	KSS-OE <span style="border: 1px solid black; padding: 2px;">G</span> <span style="border: 1px solid black; padding: 2px;">0</span> <span style="border: 1px solid black; padding: 2px;">4</span> <span style="border: 1px solid black; padding: 2px;">3</span> 0	H R C 硬度		SHEET 頁數	1/1	PROJ 設計		X ±0.30	X.XX ±0.10
	MATERIAL 材質		SCALE 比例	SCALE	REV 版本	B/1	CHKD 審核		X.X ±0.20	X.XXX ±0.05
			UNIT 單位	MM	DATE 日期	2008/04/16	APPD 核准		成品圖	