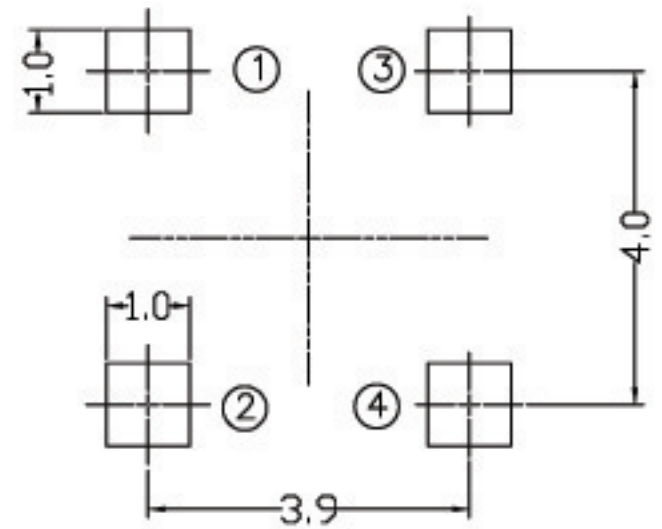


PCB LAYOUT



CIRCUIT DIAGRAM

